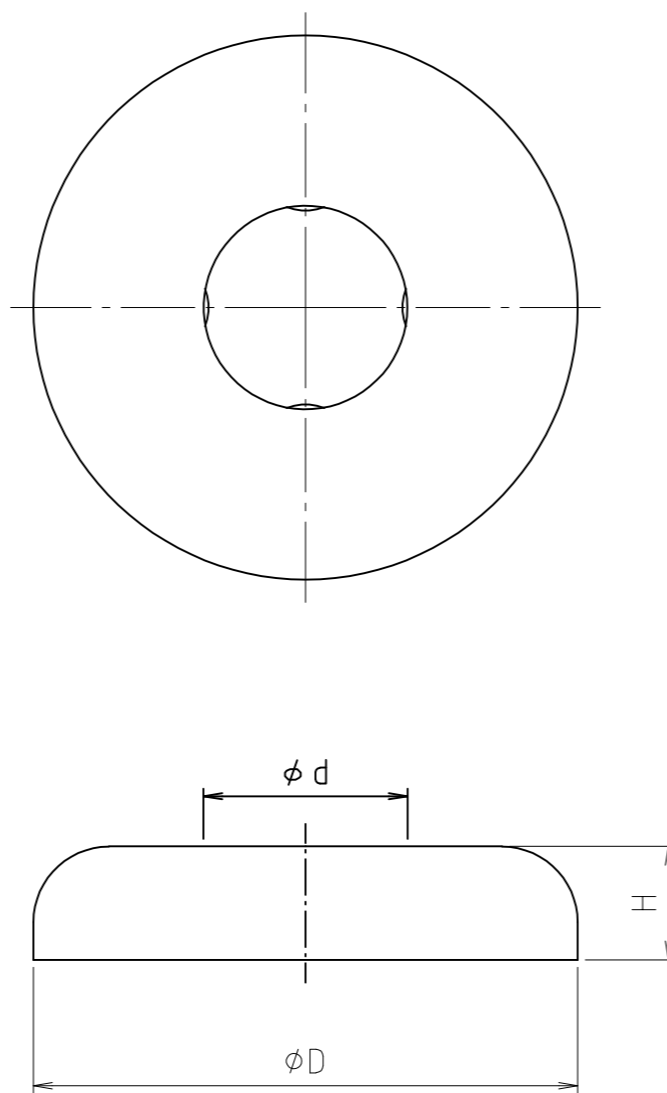


| 寸法              | $\phi d$ | $\phi D$ | H  |
|-----------------|----------|----------|----|
| 20.5 x 80 x 15  | 20.8     | 80       | 15 |
| 20.5 x 80 x 30  | 20.8     | 80       | 30 |
| 20.5 x 90 x 15  | 20.8     | 90       | 15 |
| 20.5 x 90 x 30  | 20.8     | 90       | 30 |
| 20.5 x 100 x 15 | 20.8     | 100      | 15 |
| 20.5 x 100 x 30 | 20.8     | 100      | 30 |
| 25 x 80 x 15    | 25.6     | 80       | 15 |
| 25 x 80 x 30    | 25.6     | 80       | 30 |
| 25 x 90 x 15    | 25.6     | 90       | 15 |
| 25 x 90 x 30    | 25.6     | 90       | 30 |
| 25 x 100 x 15   | 25.6     | 100      | 15 |
| 25 x 100 x 30   | 25.6     | 100      | 30 |
| 32 x 80 x 15    | 32.8     | 80       | 15 |
| 32 x 80 x 30    | 32.8     | 80       | 30 |
| 32 x 90 x 15    | 32.8     | 90       | 15 |
| 32 x 90 x 30    | 32.8     | 90       | 30 |
| 32 x 100 x 15   | 32.8     | 100      | 15 |
| 32 x 100 x 30   | 32.8     | 100      | 30 |
| 38 x 80 x 15    | 38.4     | 80       | 15 |
| 38 x 80 x 30    | 38.4     | 80       | 30 |
| 38 x 90 x 15    | 38.4     | 90       | 15 |
| 38 x 90 x 30    | 38.4     | 90       | 30 |
| 38 x 100 x 15   | 38.4     | 100      | 15 |
| 38 x 100 x 30   | 38.4     | 100      | 30 |



|                |            |     |        |         |
|----------------|------------|-----|--------|---------|
| 1              | 本体         | 黄銅板 | C2600P |         |
| 番号             | 部品名        | 材質名 | 材質記号   | 備考      |
| 品名             | 巾広座金 (メッキ) |     |        | 尺度      |
| 品番             | M6CW       |     |        | 原図 A 3  |
| 大阪市北区天満1丁目6-7  |            |     |        | フォルダ    |
| <b>ミヤコ株式会社</b> |            |     |        | 1       |
|                |            |     |        | 図番      |
|                |            |     |        | M6CW-05 |